

C H E S T E R

R A D I O S O C I E T Y

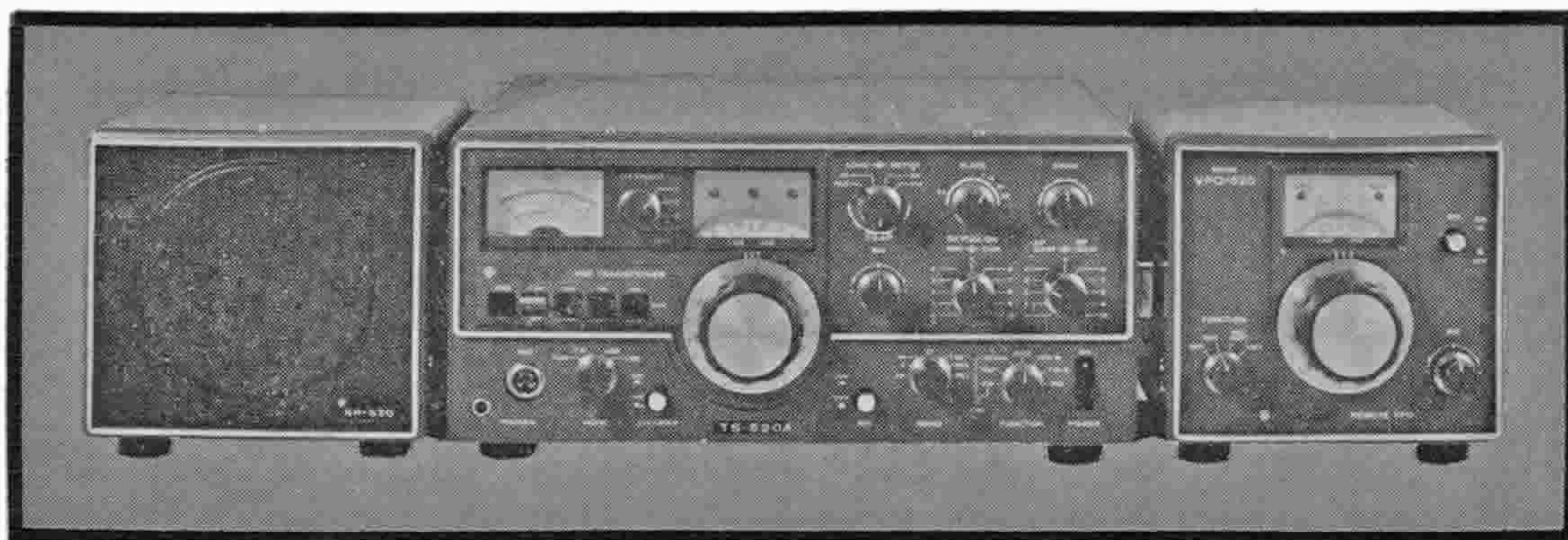
Newsletter. Number 4 May-June 82

Editorial.

The newsletter arrives late this month, partly due to lack of input, and also due to the pressure of work at the salt mine, (really!!) looking back on the month, the highlight of the programme must surely be the quiz which took place on April 19th between ourselves and the Wirral Club. This kind of event which brings local societies together and allows members to get to know one another can only be good for our hobby, and we look forward with anticipation to the next similar event. Perhaps we might even win the next one.

Club HF band rig.

Trio
TS520S
as
recently
purchased
by club.



Club Rig.

Over the weekend of 14/15th May the Chester Radio Society achieved one of its longest standing aims, when the last details were finalised and the purchase of an HF bands transceiver became a reality. The type of system purchased is the long favoured TS520-S by Trio of Japan. This is an all band transceiver fitted with a 3SK35 mosfet front end giving a sensitivity of better than 0.2uV for 10dB S+N/N ratio on all bands, the transmitter has a built in speech processor and a rugged valve PA (6146B) giving around 100 watts.

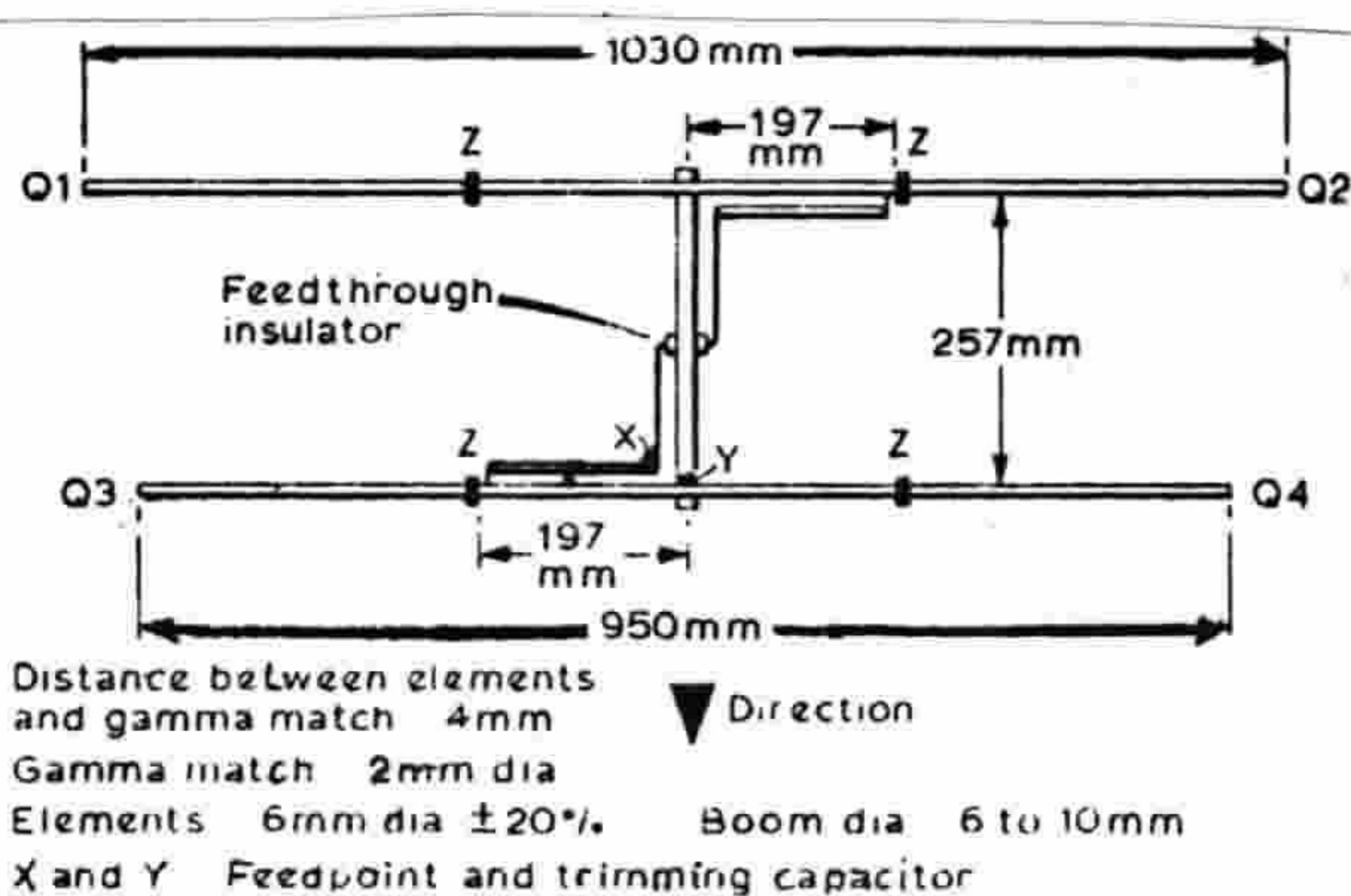
The package that the club has purchased includes an external VFO unit, a separate speaker unit, and a DC to DC converter for 12 volt operation, and special CW filter. The equipment was purchased from a private individual residing on Anglesey, for a price within our limit of £400, more about this later, see "rig fund" inside.

FORTHCOMING PROGRAMME.

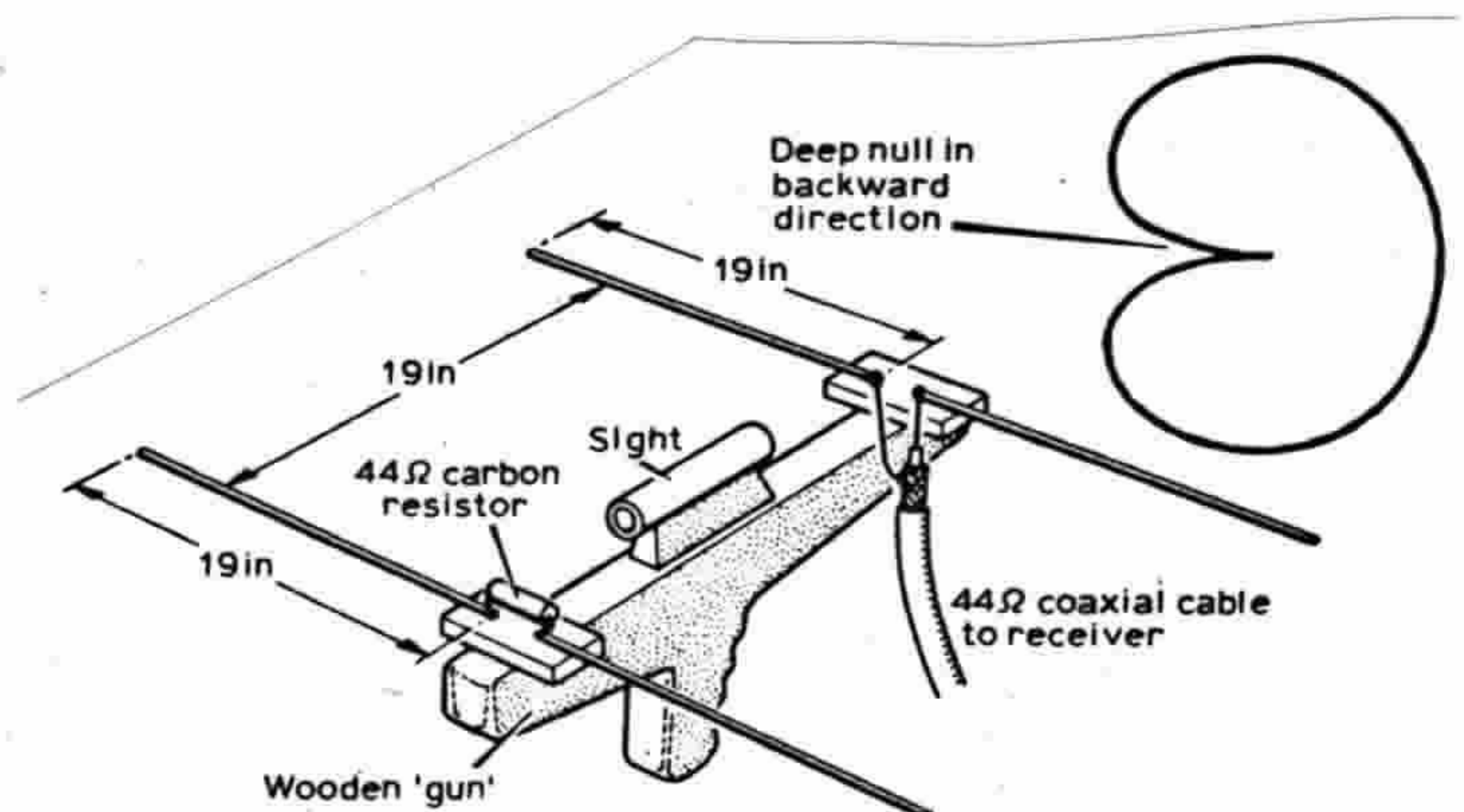
- MAY 17th Cheshire Emergency Radio. by County Planning Officers, Mr Pearce and Mr Stingecombe.
- MAY 24th Spring cleanout surplus sale, with all star cast, also new system of bidding to avoid "down" bids.
- MAY 31st Visit to Decca Navigation System transmitter at Neston, Wirral. Meet at Two Mills crossing (A540) in the Tudor Rose car park at 7.00 pm. Please arrange for car sharing as parking at the station is limited. The Decca Nav is about 6 Mls from the pub, talk in on S11/CR etc.
- JUNE 4th
JUNE 5th } National Field Day.
- JUNE 7th Committee Meeting.
- JUNE 14th Norman Kendrick G3CSG, on his homebrew ATU.
- JUNE 21st Outside activity:- Radio DF Foxhunt/Motor Treasure hunt, entrants for both sections should collect at R.U.F.C HQ between 7.00 and 7.30 for a 7.30 start, DF hunters will be provided with a map and a sealed envelope containing the ultimate destination, in case the unlikely event of their becoming lost occurs. the Treasure hunters will be given a sheet containing a few simple clues, and the route they should take..hopefully...Do not use S11 for /m net. The Hostelry chosen for this event will be serving reasonably priced bar meals, (not in baskets!) for those with sufficient skill to arrive before closing time. Please use good road sense whilst competing, taking care to pull off the road when taking bearing or solving clues...use lay-byes where possible. Road speed during any part of the hunt must not exceed 140 mph,...seriously though, remember the limit!
- JUNE 28th Pre VHF National Field Day meeting, the contest is on July 2 and 3 this year, this meeting decides the extent to which the club participates in the contest. All interested members should attend promptly.
- JULY 2nd
JULY 3rd } VHF NFD at Moel-y-gaer Clwyd. Details elsewhere.
- JULY 5th Committee Meeting.
- JULY 12th Lowe Electronics, Latest equipment on display.
- If you feel that you could present a lecture or similar event or entertainment of interest to the club, ask one of the committee to arrange a date in the club diary for your presentation.

DF AERIALS .

For those amongst you that still find Radio a pleasure, here's something that could change all that, namely the two DF type aerials that were demonstrated so disastrously by the two Chris's some time ago, just in case we did not entirely convince you, here are the dimensions of both the HB9CV, and the G8SEQ absorbing yagi.



Details of the mobile 144 MHz HB9CV two-element array used by PA0TBE/G5ASD.



The compact 144MHz two-element df antenna mounted in wooden "gun" assembly with "sight" and adjusted to provide very deep null in backward direction

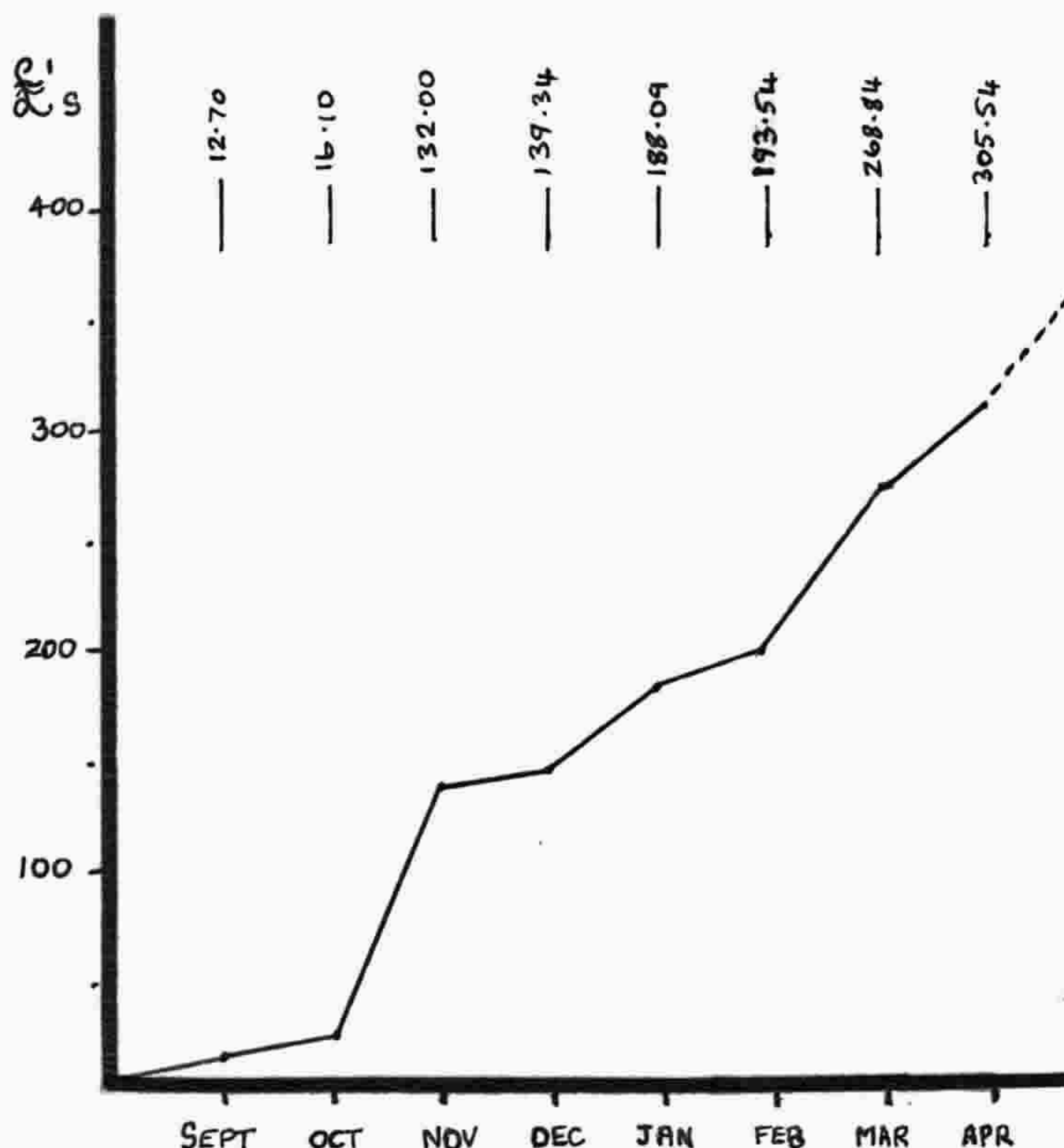
RIG FUND.

Now that the society has been able to purchase the HF rig that we have been saving for, it should not be forgotten that the rig fund is still around £100 short of its projected total, and if the full cost of the rig is to be met without depleting normal club funds, the shortfall should be made up as soon as possible.

With over a month to go to the closing date of the fund this should not be too difficult a task, especially as there is a surplus sale coming soon.

Many thanks to all who have contributed to the fund, and to those who will continue to do so in the next month. It is to be hoped that all the membership will have some use, at some time of our new rig. And that whilst using it are learning more about the hobby.

For those number crunchers amongst you there is a breakdown of the monthly totals donated to the rig fund so far, given in the graph above.



LOG BOOKS.

Would the person/persons currently in possession of the new G3GIZ logbook please return it to the secretary ASAP.

Contest Notes.

CW contest (HF field day) 4+5th of June, Chris G3TPY is still looking for volunteers to participate in this CW only contest, this is perhaps the ideal opportunity to make use of the club's new rig, interested parties please give names to G3TPY.

I am sure that there are still many who will remember the field days that were held at Handbridge some years ago, see how many of the motley crew pictured opposite you can recognise, the picture was taken around 15 years ago by G4JMF, then G8ALA, three of those pictured now serve on the committee, five others have not attended the club for around five years!



VHF field day (July 2+3rd) this is one of the major events of the year for most clubs, Chester being no exception, with sometimes four stations operating at the same time, 4 Mtrs, 2 Mtrs, 70 cms and 23 cms. As you might expect these take a lot of organising, setting up, powering up (on top of a mountain don't forget) and operating all through the night. So all volunteers are welcome, whatever skills you might have, THERE IS A MEETING ON JUNE 28 FOR ALL FIELD DAYERS!! ...Non alcoholics and lovers of home comforts need not apply.....

For sale/wanted column, a free service to members, please hand required text to the secretary G8ICT, including your telephone number and callsign.

ITEMS FOR SALE:-

TRIO. Tr 2300, in box, as new, incl Nicad pack, £110, Access or Barclay card arranged, G3SLH 082 82 60775.

DATONG. Morse tutor, V.G.C, £45, Derek Brandon G6NKP, Ch.673563

YAESU. FT207R 2m handheld, spare Nicad pack, spkr/mic, NC1 base charger, recent professional overhaul, V.G.C, £140. G6IFA phone Chester 336639.

AR88D Receiver, 540 Kc/s - 32 Mc/s, incl several spare valves, works well, £65.

PYE UHF Base TX, Early type, FM, 4 watts, incl, mic, PSU, spare valves, Xtalled on GB3CR, spare Xtal for 433.2 (SU 8) &15.

MICROWAVE MODULES, 70 cms converter, 24-26 MHz IF, £12.

Or all three items together for £85. G3ATZ , Ch 317877.

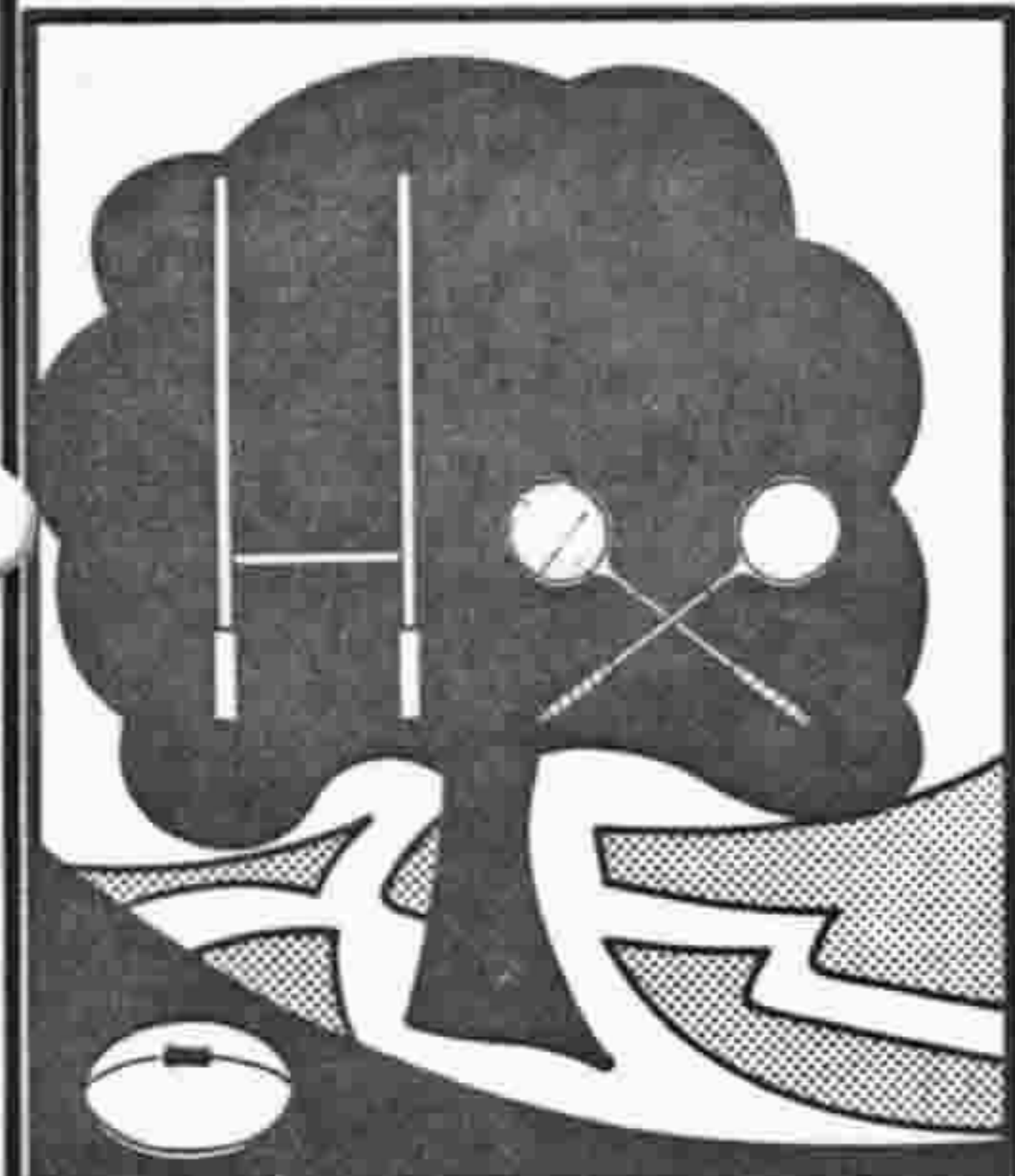
Technics record deck (SL23,FG-SERVO) plus cartridge.£45 o.n.o

Phone Buckley 542803

WANTED ITEMS.

Crystals for Trio 2200G, HC25U , 12 MHz TX, 14 MHz RX, S11-18 also S23+24 and 144.5. G6LIQ, Chester 336785.

**CHESTER
R.U.F.C.**



REMINDER.
Rugby Club Subs'
are due soon....
.....June/July...

THIS
SPACE
TO LET.

**SMC-TMP
ELECTRONICS**



Complete YAESU range in stock.
also Hi-Gain, CDE, Kenpro, SMC.
Masts, aerial fittings, etc.

Used equipment in stock:-

SRX30 as new	£120
FT101E Mint	£350
Fortop TV TX	£50
LINER 2 2mtr ssb	£75
FT 207R with charger	£140
SEM 2mtr Linear amp	£120
New SOTA 2m Linear	£110

SMC/TMP Electronics, Unit 27
Pinfold Workshops, Pinfold la.
Buckley. Clywd.(Buckley 549563)

SHACK OF THE MONTH.

This has been held over until the next issue, if you would like to star in the "Shack of the month" spot, and have a photo of your equipment,...then send it, along with a brief description etc, via any committee member, for inclusion in the newsletter.

CROSSWORD.(2) By Dave G8ZRE. Answers to last months below.

Clues Across.

- 1 Snails glance at Baird(4.4.10).
- 10 Star time (5).
- 11 You like it, repeat the borders (2).
- 12+5 down, 1750 Leak(4).
- 13 First and last number of CDRS net channel (3).
- 14+21down, Without this you would hear nothing on any band(5.3).
- 16.18+21down, 23300 miles approx (3.10.5)
- 17+6 down, Wood, Narrow passage (3.5)
- 18 see 16 across.
- 22+8down, Princess Annes husband sends messages on 145.3 from the Van Allen Belt (4.5).
- 24 Elephants divided by Indians are the laws value (3).
- 25 Musical, Radio or Rubber (4).
- 26+15 down, Till we do it again! (3.3)
- 27 Fuses or the wind (4).
- 28 What the Indians in 24 across are measured in (3).
- 30 CF Autos Babies part (6).
- 32 Convey Manx girls (10).

Clues Down.

- 2 Every station needs one (8).
- 3 Does Harry Corbett get this on his aerials (4).
- 4 If this occurs in the lower regions your signals may not get far (10).
- 5 see 12 across.
- 6 see 17 across.
- 7 All rigs have this added(3).
- 8 see 22 across.
- 9 Women catch bulbs below sea level (11).
- 14 First half of 4S7 tea (3).
- 15 see 26 across.
- 19 GM or BS (4).
- 20 see 16 across.
- 21 see 14 across.
- 22 Type of operation above babies cot (6).
- 23 Did Laurence visit 9K2 (6).
- 29 Most HF telephony uses this mode in reverse (3).
- 30 A meteor scatter contest ends with this (3).
- 31 the XYL may do this to the rig! (3).

Solution to Crossword one, (March).

	1	m	e	m	b	e	r		3	C	D	R	4	S	5	c							
				a						o				o		u							
6	M	i	c	r	o	7	w	a	8	v	e	M	o	d	u	l	e	9	s				
	a			c	o			e		m				n				i					
	r			10	H	e	r	r		u				11	d	o	w	n					
12	c	a	n	e				l	o	n								u					
	o			r				13	D	e	n	n	i	s	15	k	i	s	s				
	n							z						c				o					
14	i	17	n	-	d	i	18	a	19	O	s	c	a	r	20	g	i	g	i				
	e													t		o			d				
21	s	p	i	n				22	z				23	u	n	i	t		l	a			
	a							u					h		o			24	25	f	a	l	l
				26	27	e	g	a	l			28	f	a	n				m				
						t								29	s	u	n	s	p	o	t		

TAILPEICE.

As you can see the news letter is a bit thin ? this month. The really successful newsletters not only reflect the views of one or two people*, but cover a broad spectrum with inputs from many sources, if you have any contributions at all please let me have them, remember it was only Nobel literary prize winners that were excluded from contributing. I am however prepared to make exceptions at the moment.